

PL-T8/150-XX/SMD-5AH-AP



I、 Introduction

1. Spotless tube with aluminum alloy base, looks like traditional fluorescent tube
2. Start-up in a second, No flash, No UV
3. Can be replaced traditional fluorescent tube
4. Don't need to repair, its life time, is 10 times of traditional fluorescent tube
5. It is used environmentally and saving energy, its consumption is same to 1/3 of traditional fluorescent tube
6. soft light, vision of color is also good.

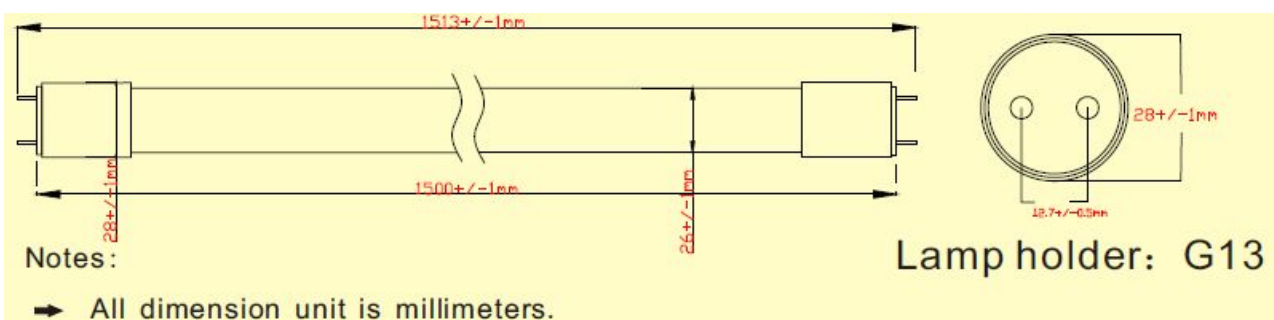


II、 Parameter

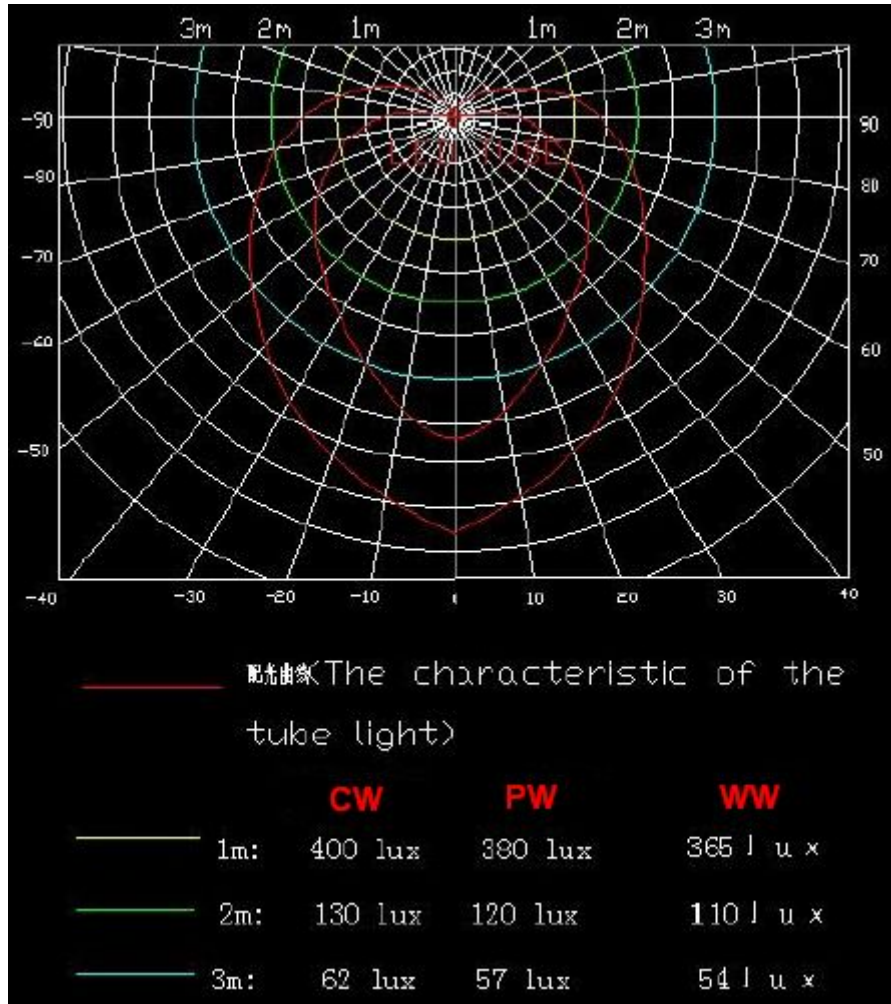
1. The materials of cover : PC, Diffused
2. The materials of base : Aluminum Alloy
3. Color: WarmWhite / PureWhite / CoolWhite
4. Light Source: 336pcs
5. Lifetime: >40,000 Hours

Item	Symbol	Tested Parameter			Unit
		Min		Max	
Brightness	Flux	1600		1700	lm
		1650		1750	lm
		1700		1800	lm
Color Temperature	CCT	2700	3000	3300	K
		3600	4000	4400	K
		5200	5700	6300	K
Voltage AC	Vin	220		240	V
Temperature	Topr	-20	25	40	°C
Storage Temperature	Trms	-40	25	80	°C
Power	PLED		23		W
View Angle	2θ1/2		180		Deg.

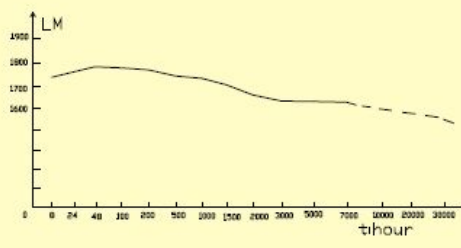
III、 Size (mm)



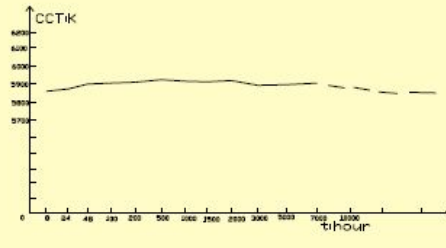
Lux Level :



Illuminance Maintenance:



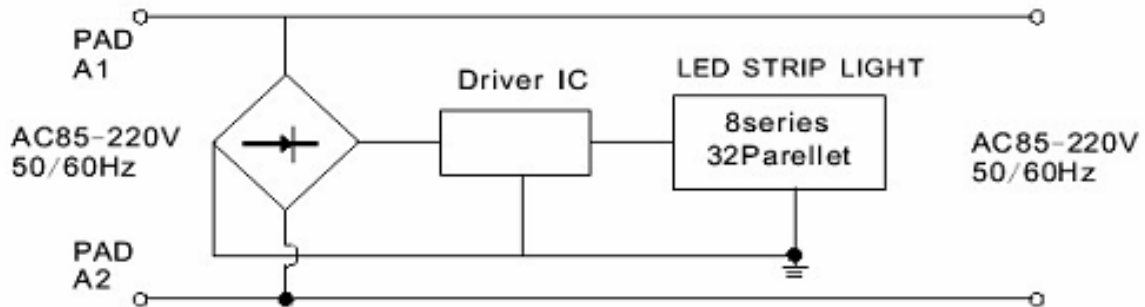
→ The luminous VS. hour



→ The CCT VS. hour

Test Conditions:
 TA=25°C
 RH=65%
 Light work lasting

V 、 Introduction



the way of operate:

outside LED fluorescent lamp when you replace the normal one, please take away the old one, Then take away the Starter and ballast. Meanwhile, please make sure AC directly connect the tube LED. And bypass the ballast.

VI 、 Installation Method:

Step 1:

Turn off the power, and take off the traditional old fluorescent tube from the bracket. Then, inspect and confirm what kind of ballast it is on the bracket, inductance ballast or electronic ballast.

How to identify Electronic ballast and Inductance ballast:

If you cannot identify what kind of ballast it is, please check whether there is a starter on the bracket. If there is a starter, it should be inductance ballast; otherwise, it should be electronic ballast.

Step 2:

a) Installation For Inductance Ballast only as below,

Step I:

Please take the starter away first, then installed the LED fluorescent tube on the bracket.

Step II:

Check out whether the LED fluorescent tube has installed correctly on the bracket.

Step III:

Check again the starter has been taken away or not. If so, turn on the power, then the LED tube light will illuminate. If the LED tube cannot illuminate, please recheck it following step I~III.

b) Installation For Electronic Ballast only as below,

Step I:

Please take the electronic ballast away first or bypass the electronic ballast. Then connect the live/neutral power cable with the connectors on both ends of the tube.

(Remarks: Do not need to consider the live/neutral power cable connect which ends of the tube).

After taking the electronic ballast off, the connection method please refer to Figure 1.

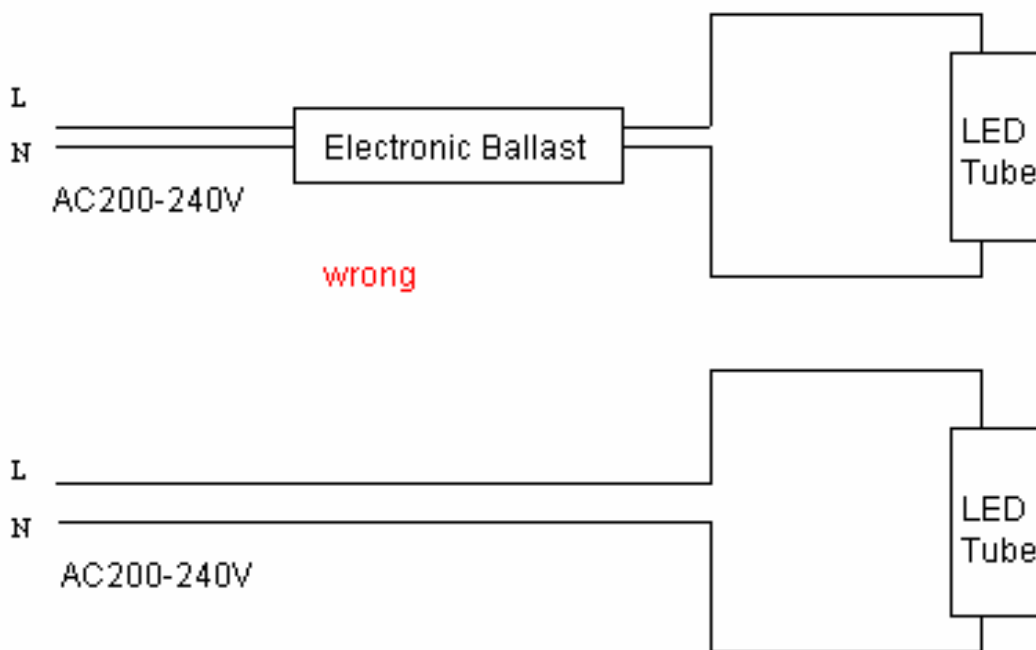


Figure 1

Step II:

Check out whether the LED fluorescent tube has installed correctly on the bracket.

Step III:

Turn on the power, then the LED tube light will illuminate. If the LED tube cannot illuminate, please recheck it following step I~III.